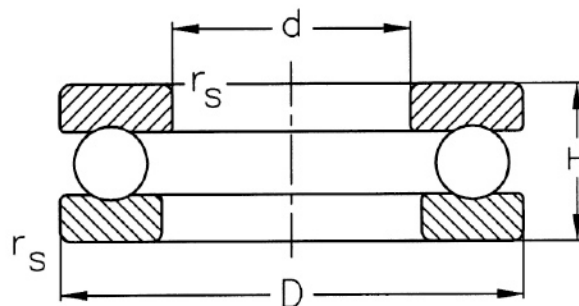


Łożyska wzdłużne jednokierunkowe.

Single-direction thrust ball bearings.



| Wymiary główne Dimensions | | | | Oznaczenie łożyska Bearing designation | Odmiana Constructional series | | Nośność Load rating | | Obroty graniczne Limiting speeds | | Masa Mass |
|------------------------------|-----|-----|--------------------|---|----------------------------------|---|------------------------|--------------------|-------------------------------------|----------------|--------------|
| d | D | H | r _{s min} | | | M | dynam. dynamic | statycz. static | w smarze grease | w oleju oil | |
| mm | | | | | | | daN | | obr. /min. | kg | |
| 30 | 60 | 21 | 1 | 51306 | ❖ | | 3780 | 6800 | 3000 | 4000 | 0.263 |
| 35 | 62 | 18 | 1 | 51207 | ❖ | | 3530 | 6700 | 3800 | 5000 | 0.22 |
| 40 | 60 | 13 | 0.6 | 51108 | ❖ | | 2320 | 5050 | 3800 | 5000 | 0.12 |
| | 68 | 19 | 1 | 51208 | ❖ | | 4000 | 8000 | 3800 | 5000 | 0.27 |
| | 78 | 26 | 1 | 51308 | ❖ | | 5750 | 10900 | 2000 | 3000 | 0.55 |
| 45 | 65 | 14 | 0.6 | 51109 | ❖ | | 2440 | 5650 | 3800 | 5000 | 0.15 |
| | 73 | 20 | 1 | 51209 | ❖ | | 3890 | 8000 | 3000 | 4000 | 0.32 |
| | 85 | 28 | 1 | 51309 | ❖ | | 7150 | 13800 | 1800 | 2600 | 0.69 |
| 50 | 70 | 14 | 0.6 | 51110 | ❖ | | 2550 | 6300 | 3400 | 4500 | 0.16 |
| | 78 | 22 | 1 | 51210 | ❖ | | 4180 | 9250 | 3000 | 4000 | 0.39 |
| | 78 | 22 | 1 | 51210 | | ❖ | 4540 | 10500 | 3000 | 4000 | 0.39 |
| | 95 | 31 | 1.1 | 51310 | ❖ | | 8650 | 17100 | 1800 | 2600 | 1 |
| 55 | 78 | 16 | 0.6 | 51111 | ❖ | | 3080 | 7750 | 3000 | 4000 | 0.24 |
| | 90 | 25 | 1 | 51211 | ❖ | | 6350 | 13900 | 2000 | 3000 | 0.61 |
| | 105 | 35 | 1.1 | 51311 | ❖ | | 11300 | 22600 | 1600 | 2200 | 1.34 |
| 60 | 85 | 17 | 1 | 51112 | ❖ | | 3670 | 9400 | 2600 | 3600 | 0.29 |
| | 95 | 26 | 1 | 51212 | ❖ | | 6250 | 13900 | 2000 | 3000 | 0.69 |
| | 110 | 35 | 1.1 | 51312 | ❖ | | 11700 | 24600 | 1600 | 2200 | 1.43 |
| 65 | 90 | 18 | 1 | 51113 | ❖ | | 3710 | 9850 | 2400 | 3200 | 0.34 |
| | 100 | 27 | 1 | 51213 | ❖ | | 6400 | 14900 | 1800 | 2600 | 0.77 |
| 70 | 95 | 18 | 1 | 51114 | ❖ | | 3760 | 10300 | 2400 | 3200 | 0.36 |
| | 105 | 27 | 1 | 51214 | ❖ | | 6550 | 15900 | 1800 | 2600 | 0.81 |
| | 105 | 27 | 1 | 51214 | | ❖ | 7100 | 17900 | 1800 | 2600 | 0.81 |
| 75 | 100 | 19 | 1 | 51115 | ❖ | | 4430 | 12300 | 2200 | 3200 | 0.42 |
| | 110 | 27 | 1 | 51215 | | | 6700 | 16900 | 1800 | 2600 | 0.86 |
| 80 | 105 | 19 | 1 | 51116 | ❖ | | 4490 | 12900 | 2000 | 3000 | 0.43 |
| | 105 | 19 | 1 | 51116 | | ❖ | 4750 | 14000 | 2000 | 3000 | 0.43 |
| | 115 | 28 | 1 | 51216 | ❖ | | 6850 | 17900 | 1700 | 2400 | 0.95 |
| 85 | 110 | 19 | 1 | 51117 | ❖ | | 4550 | 13400 | 2000 | 3000 | 0.46 |
| | 125 | 31 | 1 | 51217 | ❖ | | 9300 | 23800 | 1600 | 2200 | 1.29 |
| 90 | 120 | 22 | 1 | 51118 | ❖ | | 5800 | 16700 | 1800 | 2600 | 0.68 |
| | 120 | 22 | 1 | 51118 | | ❖ | 6300 | 19000 | 1800 | 2600 | 0.68 |
| 100 | 135 | 25 | 1 | 51120 | ❖ | | 7450 | 21900 | 1700 | 2400 | 0.99 |
| | 135 | 25 | 1 | 51120 | | ❖ | 7850 | 23800 | 1700 | 2400 | 0.99 |
| | 150 | 38 | 1.1 | 51220 | ❖ | | 13800 | 35800 | 1300 | 1800 | 2.36 |
| | 170 | 55 | 1.5 | 51320 | ❖ | | 21500 | 51700 | 850 | 1200 | 5.11 |
| | 170 | 55 | 1.5 | 51320 | | ❖ | 17330 | 44150 | 850 | 1200 | 5.51 |
| 110 | 210 | 85 | 3 | 51420 | | | 39500 | 105000 | 750 | 1000 | 15 |
| | 145 | 25 | 1 | 51122 | ❖ | | 7700 | 23800 | 1600 | 2200 | 1.08 |
| | 160 | 38 | 1.1 | 51222 | ❖ | | 14100 | 38000 | 1200 | 1700 | 2.57 |
| 120 | 190 | 63 | 2 | 51322 | | ❖ | 26700 | 70400 | 800 | 1100 | 7.87 |
| | 120 | 210 | 70 | 2.1 | 51324 | | ❖ | 31100 | 86900 | 750 | 1000 |
| 130 | 170 | 30 | 1 | 51126 | | ❖ | 11400 | 37800 | 1400 | 1900 | 1.87 |
| | 190 | 45 | 1.5 | 51226 | | ❖ | 19900 | 57800 | 950 | 1400 | 4.19 |
| 140 | 180 | 31 | 1 | 51128 | | ❖ | 11400 | 39200 | 1300 | 1800 | 2.07 |
| | 200 | 46 | 1.5 | 51228 | | ❖ | 20200 | 60900 | 950 | 1400 | 4.88 |

M Masywny koszyk mosiężny prowadzony na elementach toczych
-Solid brass cage centred on the rolling elements